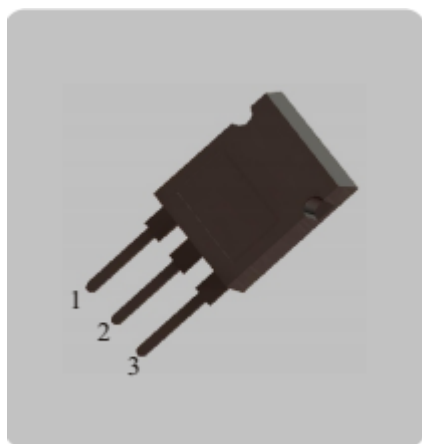




## The ASD-Series: Arc Suppressing Devices for DC circuits, rated current from 1A to 100A

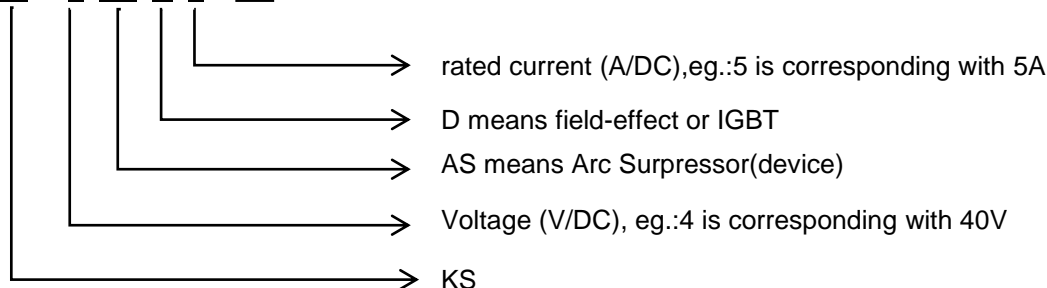


### General:

The ASD-series arc-free DC components have been developed by KS to avoid problems with arcs that have been a long-standing issue with mechanical switches such as relays and push-button switches. These are newly developed patented products, which are used for arc suppression and are suitable for mechanical switches of different DC-current circuits. By means of these products, the electrical life of the switches can be considerably lengthened, an increase in the switching capacity and the voltage load capacity of the respective main circuit can be achieved and the maintenance effort can be significantly reduced. These products are environmentally friendly "green" products.

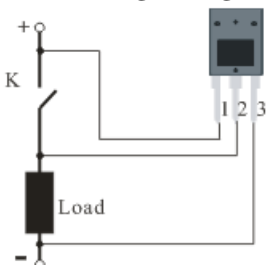
### Productcode:

KS - 4 AS D 5 □



### Wiring Diagram:

KS-XXASDXX



### Caution :

- 1.ASD series products are not suitable for switch are suppressing of AC load control.
- 2.When used in the occasion with voltage surge, we suggest to connect a overvoltage protection circuit in the 1,2 pins of this device, such as connect a voltage dependent resistor or RC absorbed circuit in parallel.
- 3.According to customer needs , pin 1 can be connected with a fuse-link in series, the rated current of fuse-link can be chosen among 1/3 to 1/2 of the load current.



### Products Design Table:

Models	Current(A/DC)	Construction	Withstand-voltage value(V/DC)	
KS-4ASD5	5	To3p	40	
KS-4ASD10	10			
KS-4ASD20	20			
KS-4ASD30	30			
KS-4ASD50	50			
KS-4ASD80	80			
KS-4ASD100	100			
KS-4ASD120	120	To3plus		
KS-4ASD150	150			
KS-4ASD180	180			
KS-4ASD200	200			
Models	Current(A/DC)	Construction		Withstand-voltage value(V/DC)
KS-4ASD240	240	To3plus		40
KS-6ASD5	5	To3p		60
KS-6ASD10	10			
KS-6ASD20	20			
KS-6ASD30	30			
KS-6ASD50	50			
KS-6ASD80	80			
KS-6ASD100	100			
KS-6ASD120	120			
KS-6ASD150	150	To3plus		
KS-6ASD180	180			
KS-8ASD5	5	To3p	80	
KS-8ASD10	10			
KS-8ASD20	20			
KS-8ASD30	30			
KS-8ASD50	50			
KS-8ASD80	80			
KS-8ASD100	100			
KS-8ASD120	120			
KS-8ASD150	150	To3plus		
KS-8ASD180	180			
KS-12ASD5	5	To3p		120
KS-12ASD10	10			
KS-12ASD20	20			
KS-12ASD30	30			
KS-12ASD50	50			
KS-12ASD80	80			
KS-12ASD100	100			
KS-12ASD120	120	To3plus		
KS-12ASD150	150			
KS-20ASD1	1	To3p	200	
KS-20ASD5	5			
KS-20ASD10	10			
KS-20ASD20	20			
KS-20ASD30	30			
KS-20ASD50	50	To3plus		
KS-20ASD80	80			
KS-20ASD100	100			

# APPEL INNOVATION

The future Technology Company



Appel Innovation Ltd., Reg. No.: 2458246

1A-1L Tung Choi Street, 20F Witty Commercial Bldg., Mong Kok, Kowloon, Hong Kong  
email: [contact@appelinnovation.com](mailto:contact@appelinnovation.com), website: <http://www.appelinnovation.com>

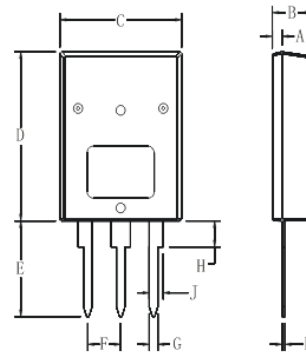
KS-20ASD120	120				
KS-20ASD150	150				
KS-40ASD1	1	To3p	400		
KS-40ASD5	5				
Models	Current(A/DC)	Construction	Withstand-voltage value(V/DC)		
KS-40ASD10	10	To3p	400		
KS-40ASD20	20				
KS-40ASD30	30	To3plus			
KS-40ASD50	50				
KS-40ASD80	80				
KS-40ASD100	100				
KS-40ASD120	120				
KS-40ASD150	150				
KS-60ASD1	1	To3p	600		
KS-60ASD5	5				
KS-60ASD10	10				
KS-60ASD20	20				
KS-60ASD30	30				
KS-60ASD50	50	To3plus			
KS-60ASD80	80				
KS-60ASD100	100				
KS-60ASD120	120				
KS-60ASD140	140				
KS-90ASD1	1	To3p	900		
KS-90ASD4	4				
KS-90ASD6	6				
KS-90ASD10	10	To3plus			
KS-90ASD20	20				
KS-90ASD30	30				
KS-90ASD50	50				
KS-90ASD80	80				
KS-90ASD100	100				
KS-90ASD120	120				
KS-90ASD140	140				
KS-120ASD1	1			To3p	1200
KS-120ASD4	4				
KS-120ASD6	6				
KS-120ASD10	10	To3plus			
KS-120ASD20	20				
KS-120ASD30	30				
KS-120ASD50	50				
KS-120ASD80	80				
KS-120ASD100	100				
KS-120ASD120	120				
KS-120ASD140	140				

Notes: working temperature range -25~85(°C);



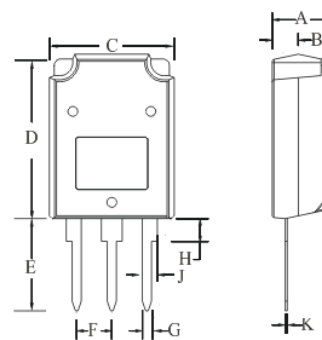
### Products Dimension Table:

Ref.	Dimensions			
	Millimeters		Inches	
	Min.	Max.	Min	Max.
B	6.3	6.5	0.248	0.255
A	1.5	1.7	0.059	0.066
C	19.8	20.2	0.779	0.795
D	25.8	26.2	1.015	1.031
E	14.5	14.9	0.570	0.586
F	5.1	5.5	0.200	0.216
G	1.3	1.5	0.051	0.059
H	3.9	4.1	0.153	0.161
J	2.2	2.4	0.086	0.094
K	0.4	0.6	0.015	0.023



TO3P

Ref.	Dimensions			
	Millimeters		Inches	
	Min.	Max.	Min	Max.
A	9.1	9.5	0.358	0.374
B	3.8	4.2	0.149	0.165
C	19.0	19.4	0.748	0.764
D	25.1	25.5	0.988	1.004
E	14.0	14.4	0.551	0.567
F	5.2	5.6	0.205	0.220
G	1.3	1.5	0.051	0.059
H	3.4	3.8	0.134	0.150
J	2.2	2.4	0.086	0.094
K	0.25	0.35	0.010	0.014



TO3PLUS