



The DDS(T)-Series: Dynamic Drive Devices

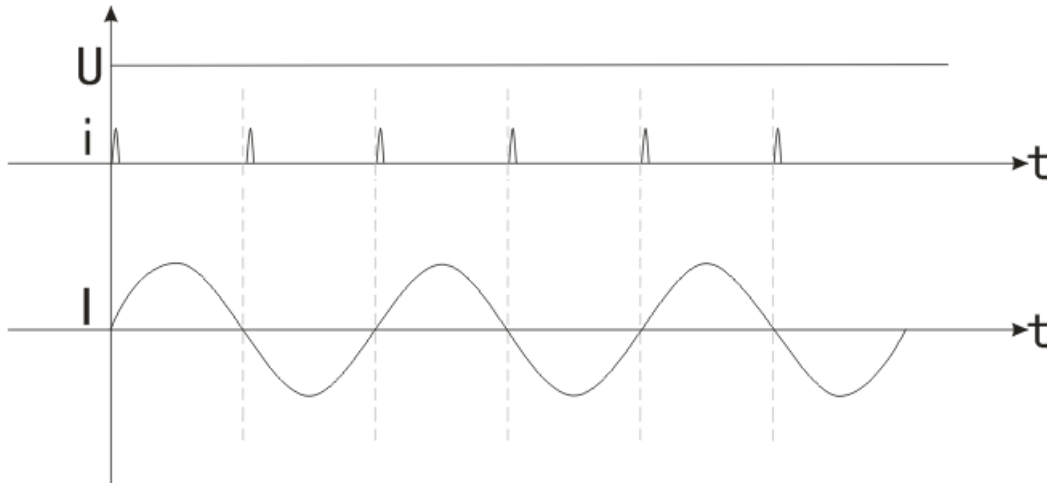


General:

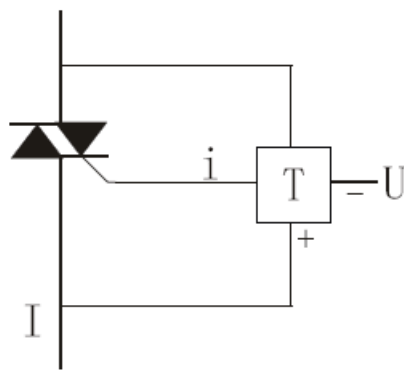
The performance components of the DDS (T) series are a kind of up-date product designed specifically to replace traditional thyristors to avoid complex control circuits and high energy consumption. The average control current of the new elements is a thousand times smaller than the DC control current of conventional thyristors, and they can also be controlled directly by the current limitation of the capacitor or resistor without relying on the control by high-frequency pulses or electronic high-voltage switches, which is a simplification of the control circuit and increased reliability, as well as a reduction of the high-frequency disturbances and harmonic harmonics. These devices are therefore environmentally friendly "green" products



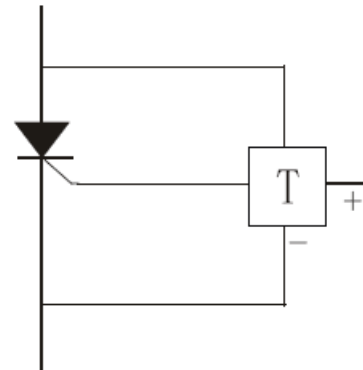
Voltage and current waves diagram:



Schematic Diagram:



DDT Equivalent Circuit



DDS Equivalent Circuit