



The EM3-Series: Intelligent Arc Suppressors



General:

The intelligent electronic arc extinguishers of the KS-EM3 series are world-leading electronic modules for arc suppressing, combining intelligent control technology and high-performance electronics. These innovative electronic products require a minimum current flow time for arc extinguishing and have a very high overload capability compared with power components with the same capacity.

A patented technique for fast electronic arc suppression with voltage and current feedback is used so that the current flows through a bypass of the electronic module at the time of the contact closure and opening of a the mechanical switch, and an arc-free switching-on and switching-off process is achieved.

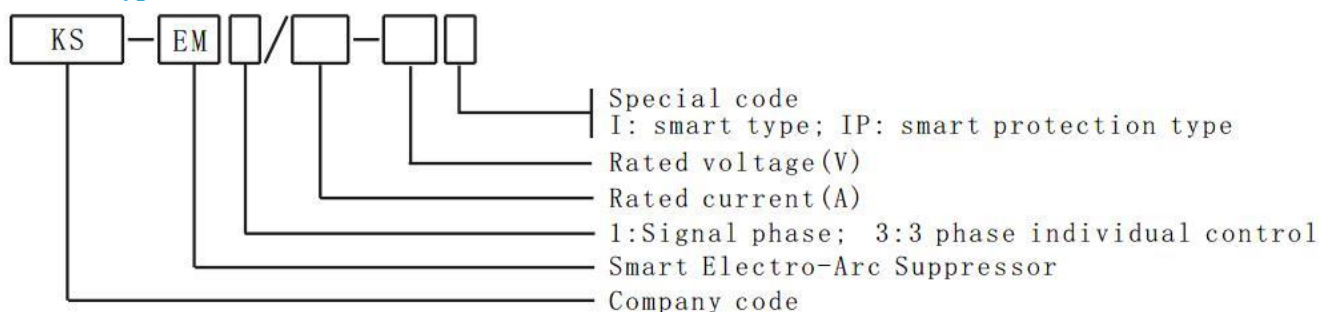
Application and Features:

The KS-EM3 series of electronic arc suppressors are suitable for retrofitting various mechanical switches, such as already existing AC contactors, vacuum contactors, relays and circuit breakers, to circuit-switched switches with a high switching capacity, whose electrical operating life is thereby one to two orders of magnitude Is lengthened and thus corresponds approximately to its mechanical life. In this way, the maintenance, personnel and material expenditure can be reduced, the contact resistance of a contact can be significantly reduced, the power consumption and heating during a contact process of the switch can be reduced, the adhesion of a contact avoided and a good explosion protection can be provided. These are environmentally friendly electrical products which bring great benefits to the economy.

Functions:

Arc suppression at on / off-switching , protection against phase failure (option), power indicator, operating status display, self-diagnosis.

Product Type and Definition:





Appel Innovation Ltd., Reg. No.: 2458246
 1A-1L Tung Choi Street, 20F Witty Commercial Bldg., Mong Kok, Kowloon, Hong Kong
 email: contact@appelinnovation.com, website: <http://www.appelinnovation.com>

Product Type and Main Electrical Parameters:

| Model | Maximum Operating Voltage | Rated current | Maximum Conducting Time |
|-----------------|---------------------------|---------------|-------------------------|
| KS-EM3/40-450I | 450V | 40A | <10 ms |
| KS-EM3/63-450I | 450V | 63A | <10 ms |
| KS-EM3/80-450I | 450V | 80A | <10 ms |
| KS-EM3/100-450I | 450V | 100A | <10 ms |
| KS-EM3/125-450I | 450V | 125A | <10 ms |
| KS-EM3/160-450I | 450V | 160A | <10 ms |
| KS-EM3/250-450I | 450V | 250A | <10 ms |
| KS-EM3/400-450I | 450V | 400A | <10 ms |
| KS-EM3/630-450I | 450V | 630A | <10 ms |

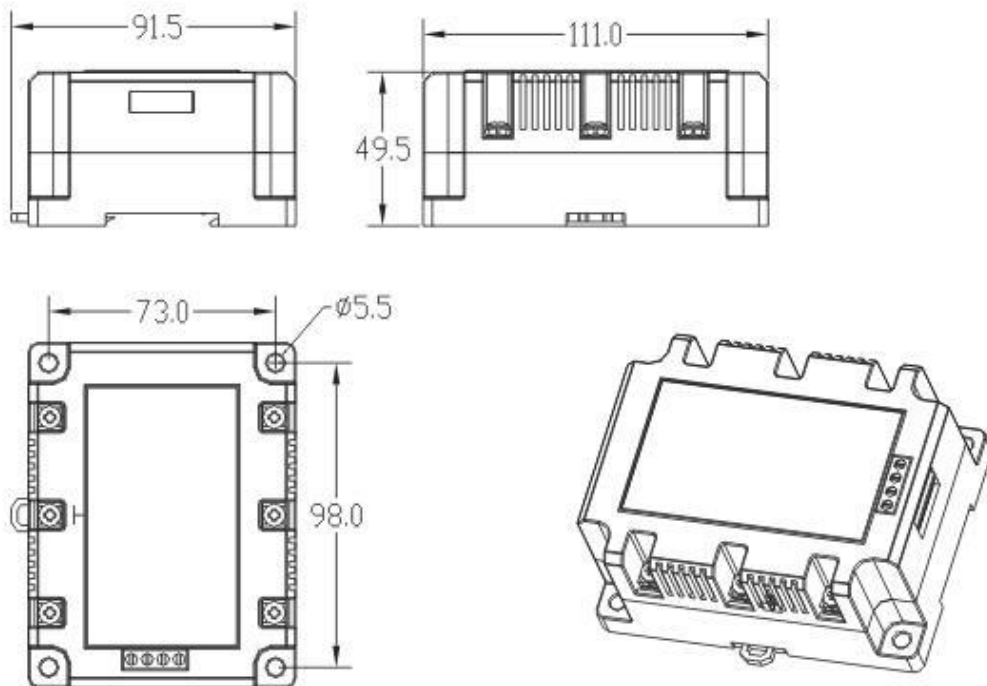
Remark: 1、Maximum operating voltage can be custom-made by customer's requirement, voltage range is between 110V-690VAC.

2、KS-EM3/XX-XXX IPC is for capacitor load special type .

Warning: 1、 This device shall not be used for DC power line!

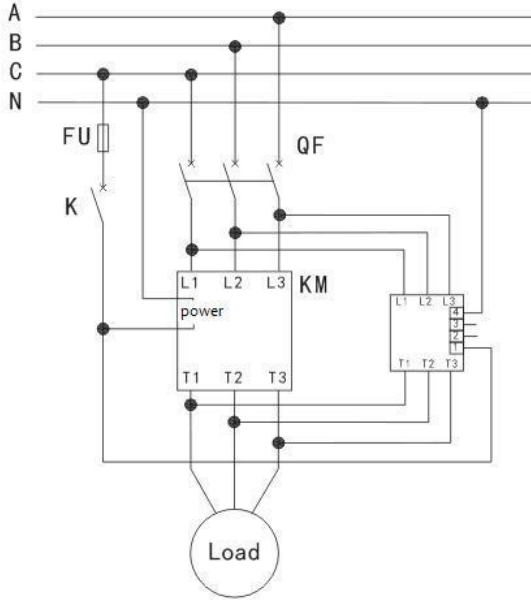
2、 This device shall not be used as isolate switch!

Installation Size (Unit:mm):

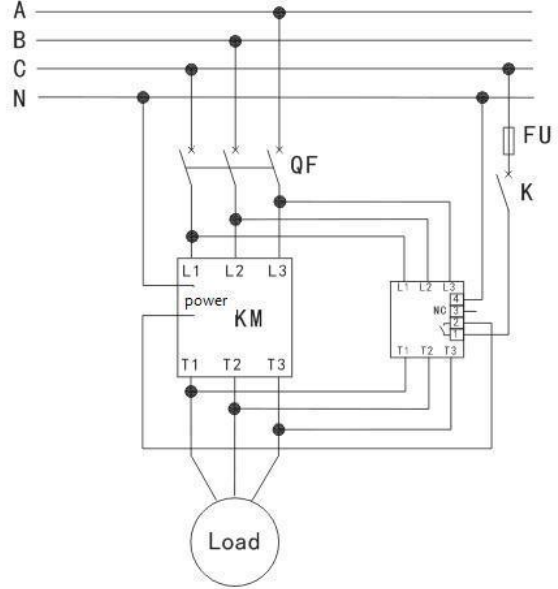




Wiring Diagram:



KS-EM3/XX-450I



KS-EM3/XX-450IP