



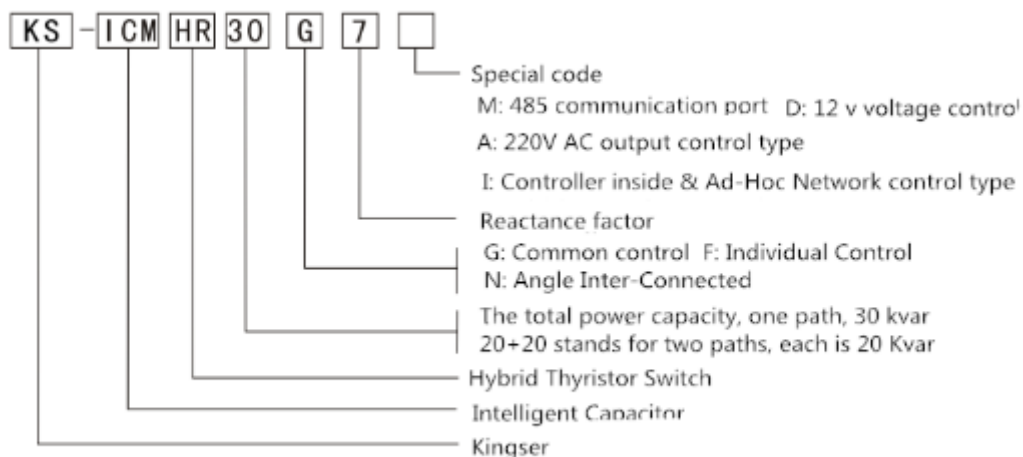
The ICM-Series: Intelligent Capacitors



General:

The intelligent capacitors of the KS-ICM series are innovative intelligent compensation modules, which combine industry-leading technology for hybrid switches and thyristor switches, and combine the functions of a circuit breaker, a fast-disconnect switch unit for intelligent monitoring, a choke coil and a capacitor, Customer requirements with a view to a modular design. Compared to conventional capacitors, they are characterized by comprehensive protection functions, high safety and reliability, low construction volume, and simple wiring and assembly. They are used as a replacement for conventional power factor compensation devices consisting of different separate components and simplify the dynamic setting of power factors as well as the harmonic filtering.

Product Type and Definition:



Different special code stands for different standard, material, function for the parts.



Features:

1. ICM series Intelligent capacitors adopts the leading patent technology of power storage technique in capacitors and zero-crossing trigger in advance, to ensure the lower switching current value, overcome the inrush current problem of the synchronous switch and the hybrid switch on the market, as well the poor reliability of fast burning lost of mechanical contacts, contacts adhesion, thyristor breakdown problem etc.
 2. The world's only thyristor switch without transformer and high voltage electronic switch triggered, without inrush current break over, no transformer trigger duty cycle, no zero blind area and breakdown problem of high voltage electronic switch.
 3. Leading patent technology of control method, the break over time of the thyristor can be made within milliseconds, is below one over ten of the thyristor break over time of the existing hybrid switch, to make it a super strong overload capacity, specific models can load short circuit completely, without damaging the thyristor and switch.
 4. Real-time monitoring of the phase current, temperature reactor and capacitor.
 5. With class H insulation, low loss, filter reactor, filter out harmonic
 5. Quick break, over current, lack of phase, overvoltage, under voltage protection, etc
 6. Is made of thick film self-healing capacitors to ensure long-term reliability of work
 6. Record the failure information convenient fault diagnosis
 7. Modular design, small size, wiring simple, maintenance is convenient.
 8. Quick break, over current, lack of phase, overvoltage, under voltage, over temperature protection
 9. Record the failure information convenient fault diagnosis
 10. The RS - 485 communication, remote monitoring.
- Industrial electronic components, strong anti-interference photoelectric isolating circuit, ensure the long-term operation reliability in harsh industrial environment.
(note: the above * mark product features specific models is different, the product specification shall prevail.)

Technical Index :

Patent Products

Altitude: $\leq 2000\text{m}$

Temperature: $-25 \sim +45^\circ\text{C}$

Environmental requirements: no harmful gases, no electrical conductivity or explosive dust, no violent mechanical vibration

Capacitor capacity attenuation: $\leq 1\%$ / year

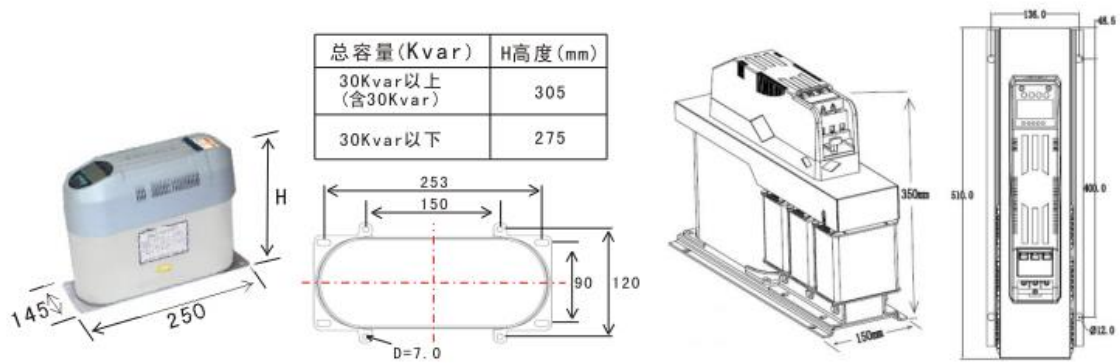
Life: ≥ 1 million times

Circuit power consumption: ≤ 3

Models List and Parameters Table

Model	Capacitance	Compensation	Rated Voltage	Reactance
KS-1CMHR40G7	40	Common Compensation	415 450 480 525	7
KS-1CMHR35G7	35			
KS-1CMHR30G7	30			
KS-1CMHR25G7	25			
KS-1CMHR40G	40			
KS-1CMHR35G	35			
KS-1CMHR30G	30			
KS-1CMHR25G	25			
KS-1CMHR20+20G	20+20			
KS-1CMHR15+15G	15+15			
KS-1CMHR10+10G	10+10			
KS-1CMHR10+5G	10+5			
KS-1CMHR30F	30			
KS-1CMHR25F	25			
KS-1CMHR20F	20			
KS-1CMHR15F	15			

Installation Size (Unit: mm):



Wiring Diagram:

