



## The TH-Series: Intelligent Thyristor Regulators

(Temperature Control Dedicated)



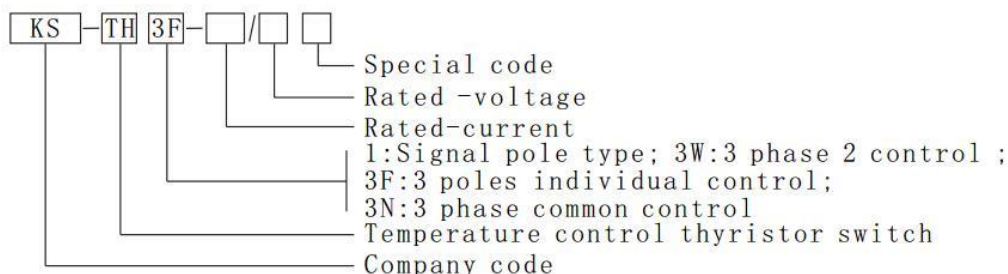
### General:

The intelligent thyristor regulators of the series KS-TH are an intelligent control device which is frequently used in electrical heating systems. Thanks to the use of our patented forced release technology, they are characterized by high linearity, high reliability and high power density. An automatic given 4-20mA/PWM-signal by a temperature-controller or another device or a manually preset signal is generating one cross-zero cycle (PWM-duty-controlled) output and another output a zero-crossing frequency (CYC-variable), the output power is controlled by adjusting the number of cyclic waves connected to each time unit to enable automatic adjustment of the temperature in a heating system

### Features:

The thyristor power controllers of the series KS-TH are characterized by high resolution, low temperature fluctuations and infinitely variable adjustability, and provide a new temperature control option; Low noise, long service life, Switch-on at zero-crossing of the voltage and switch-off at the zero-crossing of the current, full sine wave output, all this contributes to low radiation, low transmission noise, and low instantaneous surge current. The controllers use a fan-based intelligent thermostatic control and an overheating protection unit with a fan switch-on temperature of  $55^{\circ}\text{C} \pm 2^{\circ}\text{C}$  and a protection temperature of  $70^{\circ}\text{C} \pm 5^{\circ}$

### Product Code:



### Technical Index :

Main Voltage: 110V/220V /380V/ 660V 50/60Hz  
Rated current: 60A/90A/110A/160A/200A/300A/400A/500A  
Power regulation range: 0-100%  
Signal resolution: 1%  
Input signal: 4-20mA/PWM  
Output mode: CYC/PWM



Appel Innovation Ltd., Reg. No.: 2458246  
 1A-1L Tung Choi Street, 20F Witty Commercial Bldg., Mong Kok, Kowloon, Hong Kong  
 email: [contact@appelinnovation.com](mailto:contact@appelinnovation.com), website: <http://www.appelinnovation.com>

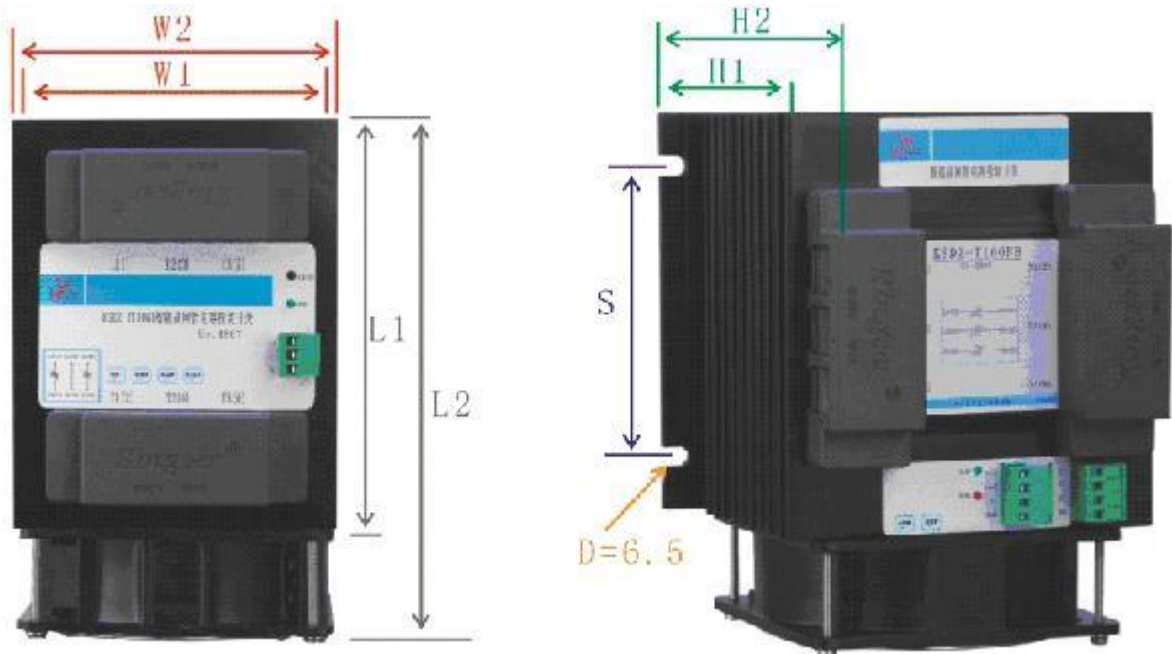
**Installation Size Table (Unit: mm):**

parameter Frame number	item	size					Installation size			
		L1	L2	W1	W2	H1	H2	Aperture heart distance(up to down)	Aperture distance	Aperture heart distance (right to left)
Frame1	①	150~170	150~210	85	120	120	152	$0 \leq S \leq 140$	7.5	88
Frame2	②	150~220	200~260	140	158	120	152	110	6.5	148
Frame3	③	239	280~322	85	120	120	136	$0 \leq S \leq 230$	7.5	88
Frame4	④	223	260	140	158	120	136	160	6.5	148

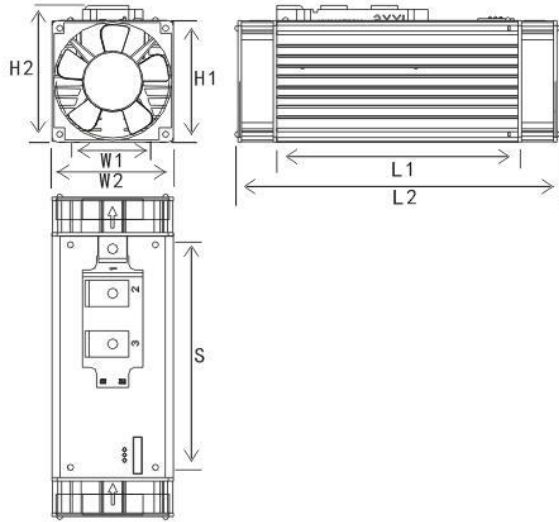
- Note :**
- ① In/out terminal is up in down out,Current range:40~110A
  - ② In/out terminal is left in right out,Current range:40~200A
  - ③ In/out terminal is up in down out,Current range:200~1000A
  - ④ In/out terminal is left in right out,Current range:120~200A

**Frame:**

**Frame1/2**



Frame3



Frame4

